

6MR250A

Professional Midrange Driver



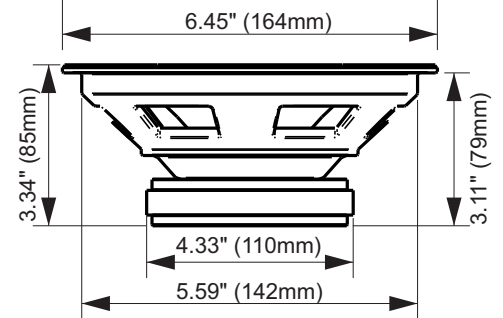
KEY FEATURES

- 1.5" Voice coil
- 125 Watts continuous power handling
- 94 dB Sensitivity
- 150- 9,500 Hz



GENERAL SPECIFICATIONS

Nominal Diameter	6" (152 mm)
Nominal impedance	8 ohms
Rated Power Handling	125 Watts
Program Power	250 Watts
Sensitivity 2.83V at 1m	94 dB
Recommended Hi Pass Crossover*	300 Hz*
<small>*For Full Power Handling</small>	<small>*12db Per Octave Crossover</small>
Frequency Response at -10dB	150 - 9,500 Hz
Voice Coil Diameter	1.5" (38 mm)
Voice Coil Wire	CCAW
Voice Coil Winding Depth	8.8 mm
Former Material	Kapton
Magnetic Gap Depth	5.5 mm
Frame Material	Stamped Steel



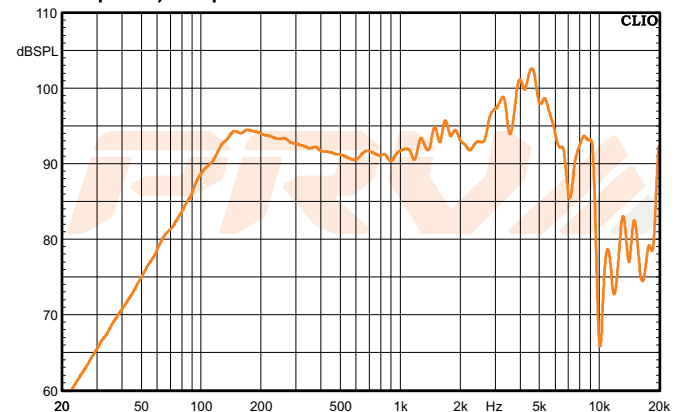
THIELE-SMALL PARAMETERS

Equivalent Volume	Vas	3.56 l
Excursion (mathematical)***	Xmax	3.00 mm
Free Air Resonance	Fs	145.3 Hz
Mechanical Factor	Qms	15.03
Electrical Factor	Qes	1.26
Total Factor	Qts	1.16
Cone Area	Sd	154 cm ²
Mechanical Mass	Mms	11.15 g
Bl Factor	BL	6.99 Tm
Dc Resistance	Re	6.1 Ohms
Inductance	Le	0.14 mH at 1 kHz
Mechanical Mass Without Air	Mmd	10.06 g
Mechanical Compliance	Cms	0.107 mm/N

EXTRA INFO

Overall Diameter	6.45" (164 mm)
Front Mount Baffle Cutout	5.59" (142 mm)
Mounting Depth	3.11" (79 mm)
Overall Depth	3.34" (85 mm)
Net Weight	3.79 Lbs (1.72 kg)
Shipping Weight	4.07 Lbs (1.85 kg)
Carton Dimensions W x L x H	7.25" x 7.25" x 4.12" (184 x 184 x 105mm)

Frequency Response Measured at 2.83V/1m



***Xmax=(Voice coil winding depth-Magnetic Gap depth)/2+ Mgnetic Gap Depth/4

PRV AUDIO USA (USA and Export) FORT LAUDERDALE, FL
 support@prvaudio.com www.prvaudio.com
 PRV AUDIO BRAZIL (Brazilian Sales Only) SAO LEOPOLDO, RS
 vendas@pvaudio.com.br www.pvaudio.com.br